

Arc Trainer® Shroud

Kit No. **600AK025** - Left Shroud Kit
600AK027 - Right Shroud Kit

Installation Instructions

NOTE: This instruction sheet describes how to replace the shrouds in the Arc Trainer 600A/610A.

TOOLS REQUIRED

- Cloth or rag
- 6" Phillips screwdriver
- 3/16" Allen wrench

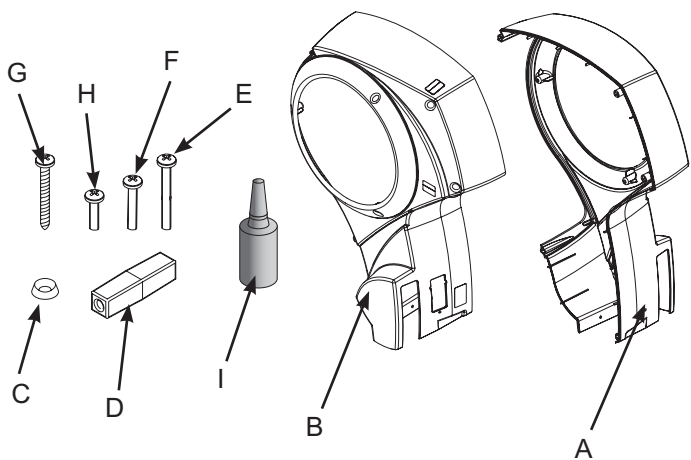
1. Read and understand all instructions thoroughly before installing this kit.

2. Verify you received the appropriate kit.

- A. **600AK025** Left shroud
- B. **600AK027** Right shroud

3. Verify kit contents. See Figure 1.

- A. Right shroud (1), **600A-333 (600AK027)**
- B. Left shroud (1), **600A-334 (600AK025)**
- C. Nylon countersunk washer (2), **HS100000**
- D. Cover insert (5), 600A-336
- E. Screw 10-24 x 1.00 (1, **600AK025** only), HT572517
- F. Screw 8-16 x .75 (7), **HT552515**
- G. Screw #8 x .875 (1), HT552516
- H. Screw 10-24 x .50, HT512512
- NOTE:** Qty for **600AK025** = 3
Qty for **600AK027** = 4
- I. Loctite #242 (1), **YA000201**



NOTE: You will receive either A or B.

Figure 1

4. Elevate the unit and disconnect the power source.

- A. Elevate the unit to a minimum of level 7 incline.
- B. While the unit is elevated, turn the main power switch to the off (0) position and unplug the power cord from the power outlet.

! WARNING: Disconnect the power cord before continuing this procedure. Keep wet items away from inside parts of the unit. Electrical shock could occur even if the unit is unplugged.

5. Remove the access cover.

- A. Using a Phillips screwdriver, remove the two lower screws (one screw on each side), securing the access cover. See Figure 2.
- B. Remove the two upper screws (one screw on each side), securing the access cover.
- C. Remove the Access cover.

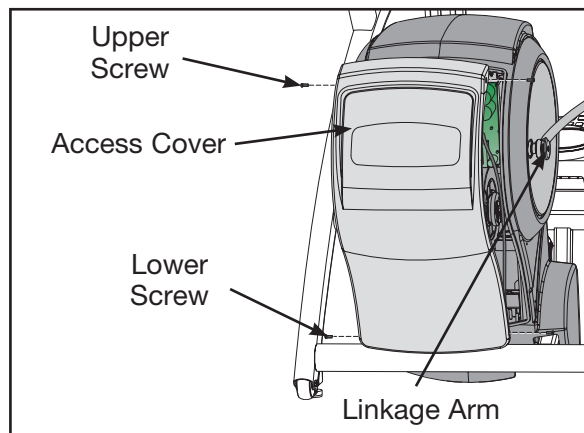


Figure 2

6. Remove the linkage arm (front end).

- A. Using a 3/16" Allen wrench, remove the SHCS, flat washer, cap and spacer securing the linkage arm. See figure 3.

- B.** Lay the linkage arm down on the frame.
NOTE: Place a cloth or rag in between the linkage arm and the frame to prevent scratches.

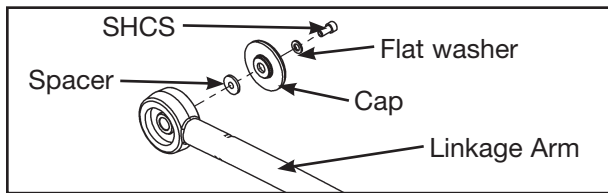


Figure 3

7. Remove the left shroud (600AK025).

- A.** Remove the ten screws and two washers securing side cover in place.

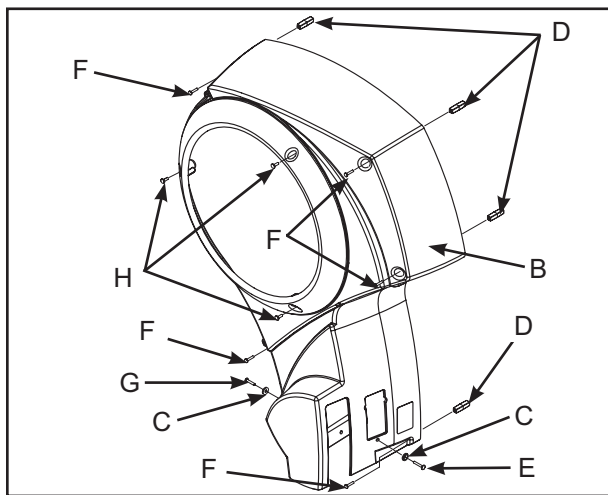


Figure 4

8. Remove the right shroud (600AK027).

- A.** Remove the ten screws and two washers securing side cover in place.

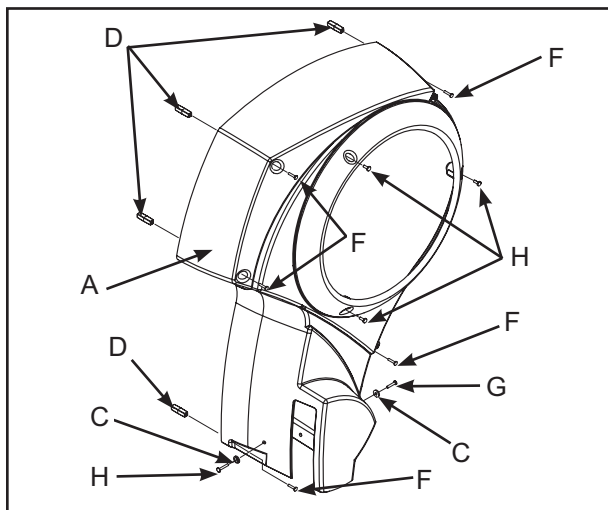


Figure 5

9. Replace cover inserts (if applicable).

- A.** Using a Phillips head screwdriver, remove the screw securing cover insert (item D) to shroud and remove cover insert.
B. Install new cover insert.
C. Using a Phillips head screwdriver, install screw removed in step A and tighten securely.

10. Install left shroud (600AK025).

- A.** Place left shroud in position on the cover inserts.
B. Using a Phillips head screwdriver, install the ten screws and two washers securing the side cover. See Figure 4
C. Securely tighten all screws.

11. Install right shroud (600AK027).

- A.** Place right shroud in position on the cover inserts.
B. Using a Phillips head screwdriver, install the ten screws and two washers securing the side cover. See Figure 5.
C. Securely tighten all screws.

12. Reinstall linkage arm.

- A.** Place a small amount of loctite (item I) to threads of SHCS removed in step 6A and place another drop of loctite into the shaft (where the SHCS will be tightened into).
B. Using a 3/16" Allen wrench, reinstall the parts removed in step 6A. See Figure 3.
C. Torque to 100 in. lbs.

13. Reinstall access cover.

- A.** While being sure not to pinch any cables, hold the access cover in place. See Figure 2.
B. Using a Phillips head screwdriver, install and tighten the two upper screws first (removed in step 5B). **NOTE:** Do not over tighten screws.
C. Install and tighten the two lower screws (removed in step 5A). **NOTE:** Do not over tighten screws.

14. Test unit for proper operation.